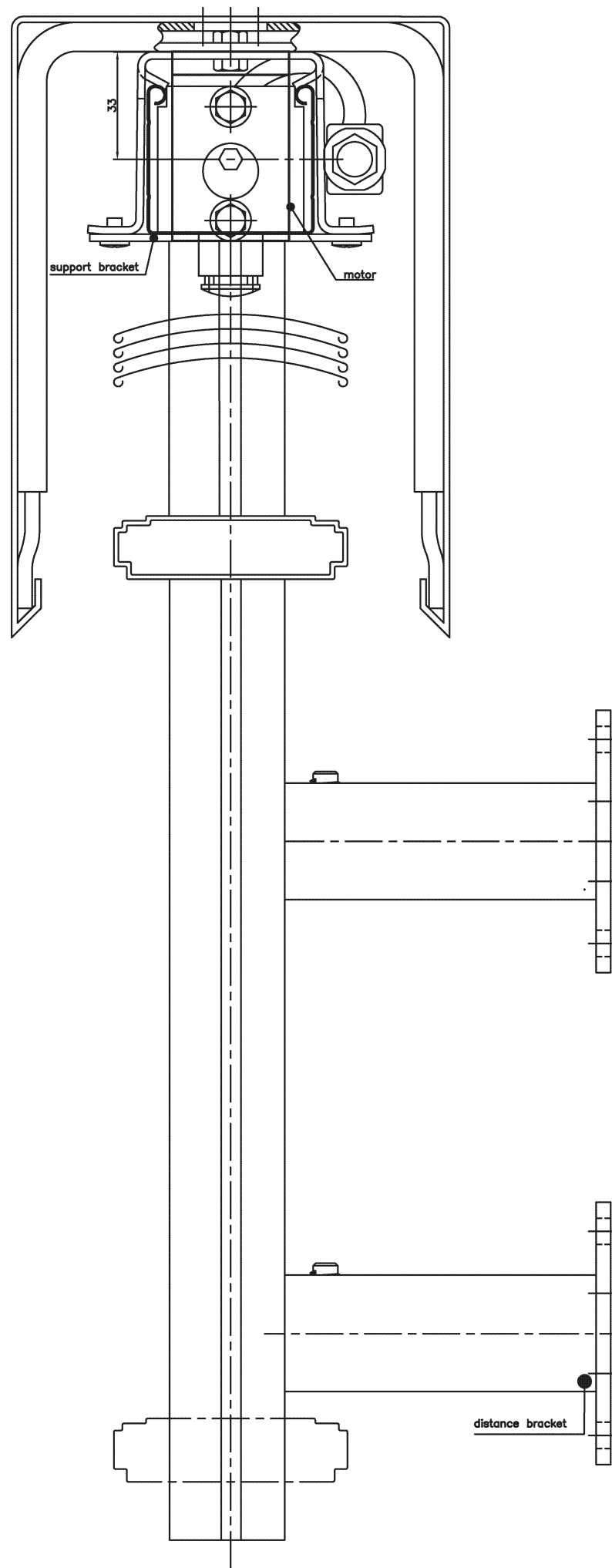


Pelmet type 5 with re-enforcement bracket and slides including screw, mounting on top of side channels



Pelmet type 5	
Drawing number: 773/115	
Project:	Scale: 1:1
Number:	Date:
Technical changes can be made without notice. Copyright 2005 HunterDouglas.	