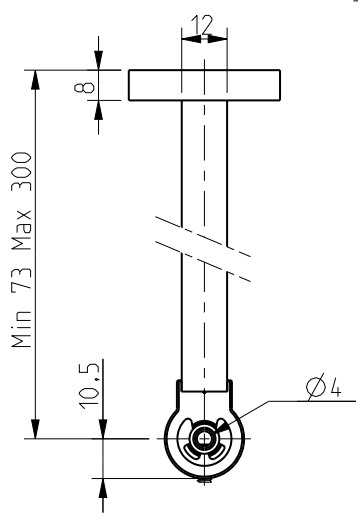


Set screw M4  
Tighten guiding cable with 180-190 Ncm



Drawing number: 801/1013	
Tensioning cable bracket bottom single	
Project:	Scale:
Number:	Date:
Technical changes can be made without notice. Copyright 2013 HunterDouglas.	